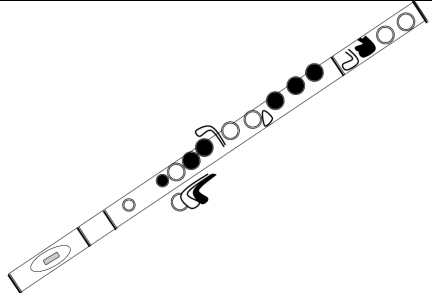
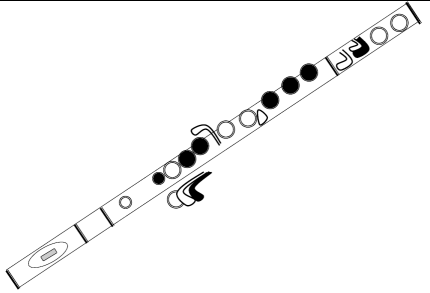
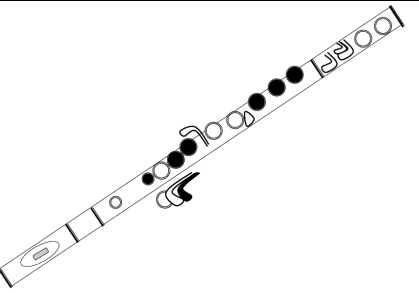
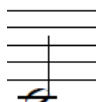


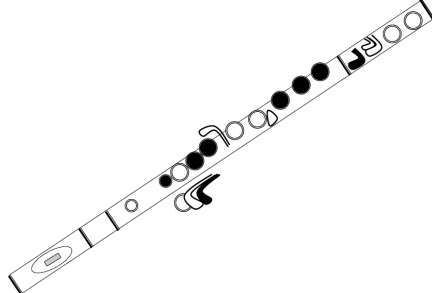
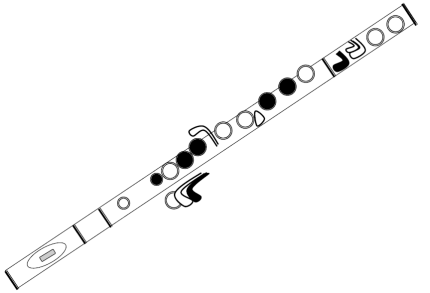
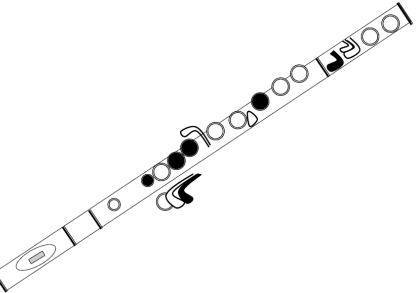
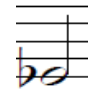

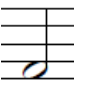
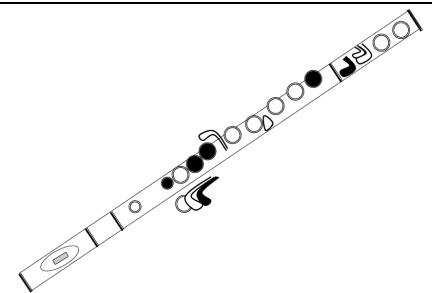
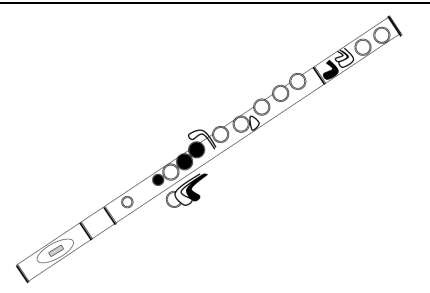
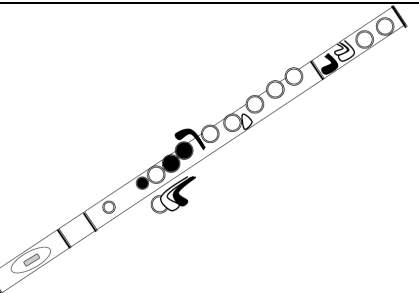


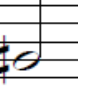


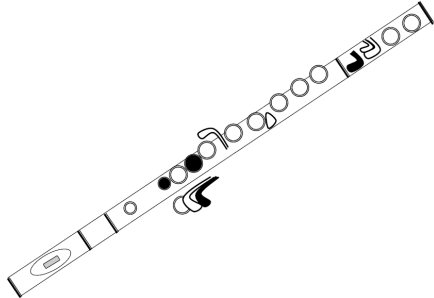
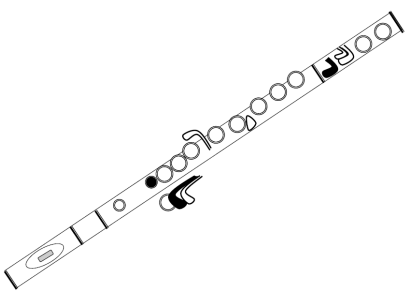
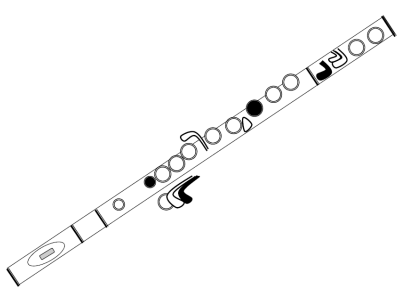
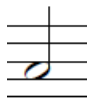


Flute Fingering Chart:

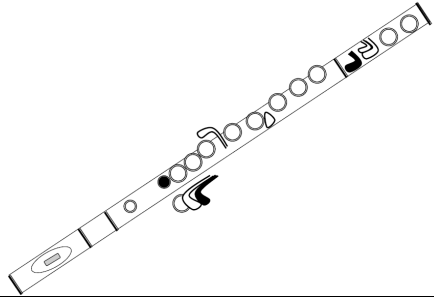
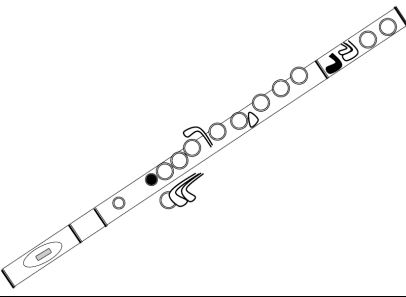
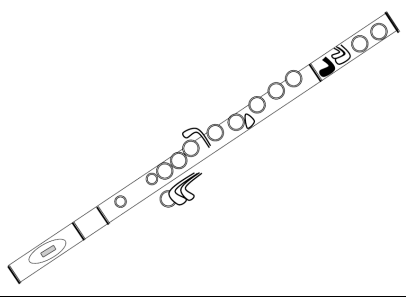

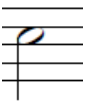

Low C	Low C#	Low D
		
		

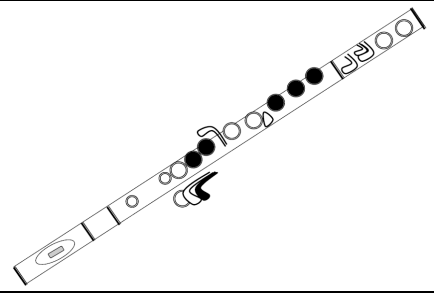
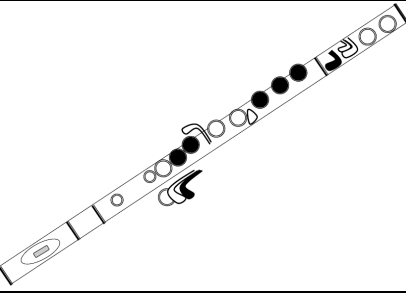
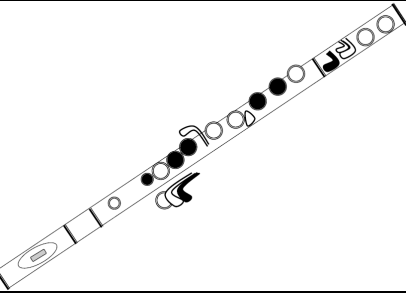

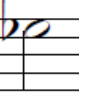

Low Eb	Low E	Low F
		
		

Low F#	Low G	Low G#
		
		

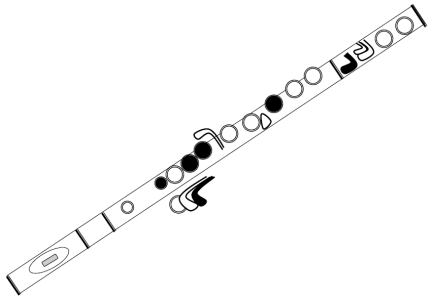
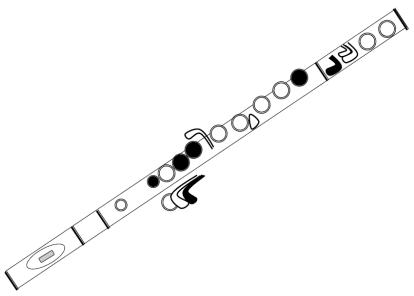
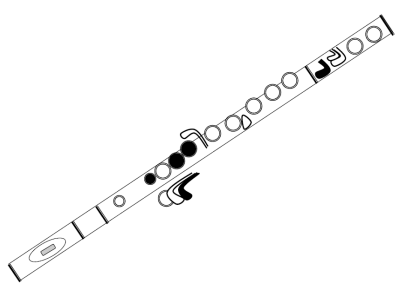



Flute Fingering Chart pg 2:

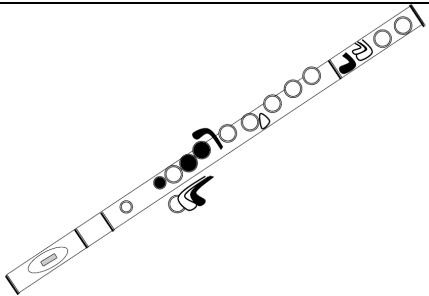
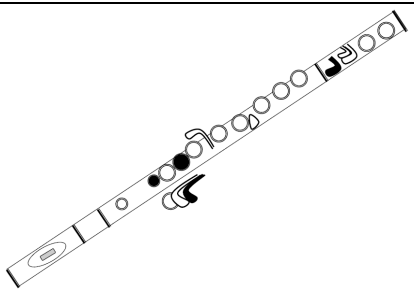
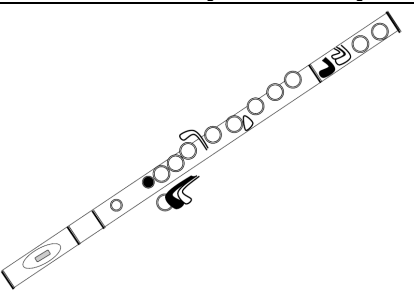

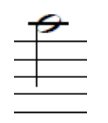
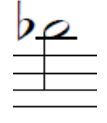
Low A	Low Bb (Version 1)	Low Bb (Version 2)
		
		

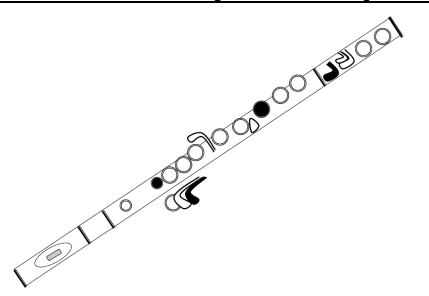
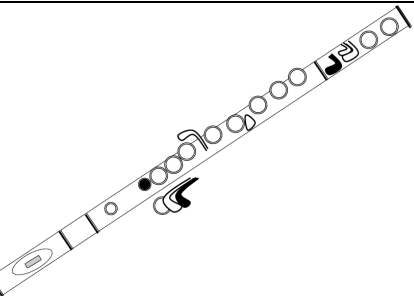
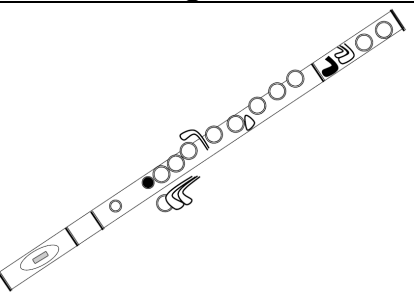
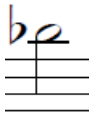
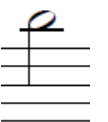
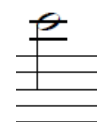
Low B	Middle C	Middle C#
		
		

Middle D	Middle Eb	Middle E
		
		

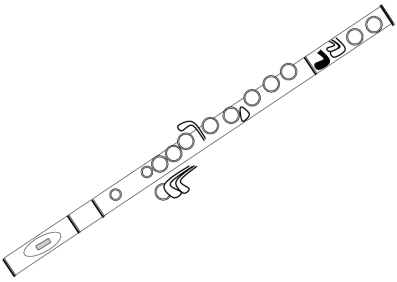
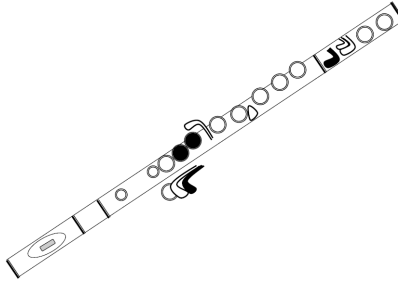
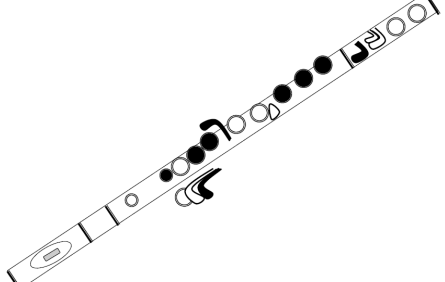
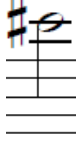
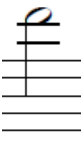

Flute Fingering Chart pg 3:

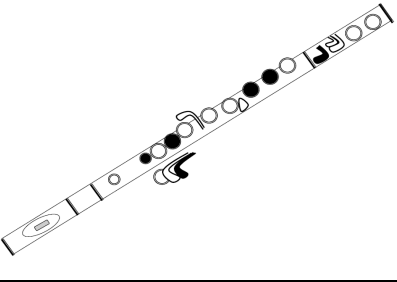
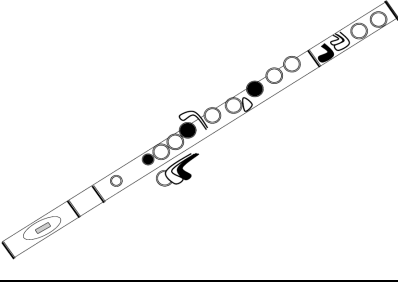
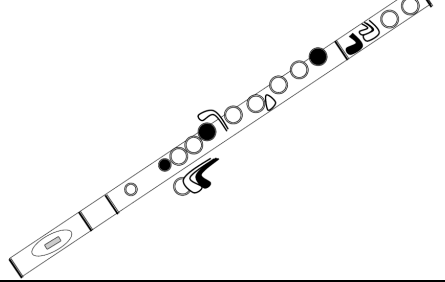

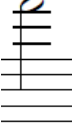

Middle F	Middle F#	Middle G
		
		

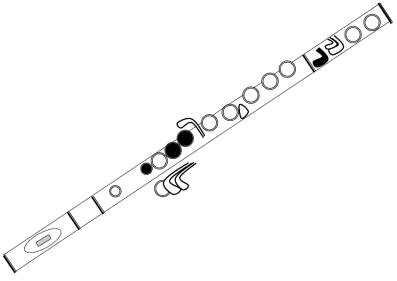
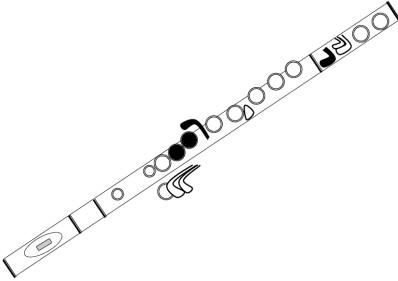
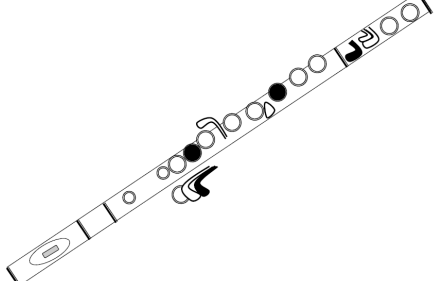
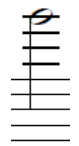

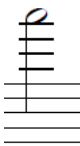
Middle G#	Middle A	Middle Bb (Version 1)
		
		

Middle Bb (Version 2)	Middle B	High C
		
		

Flute Fingering Chart pg 4:

High C#	High D	High Eb
		
		

High E	High F	High F#
		
		

High G	High G#	High A
		
		

Flute Fingering Chart pg 5:

High Bb	High B	Super High C
